

## Universal Panel Meter



measuring  
•  
monitoring  
•  
analyzing

DAG-T4



- Universal Panel Meter in 96 x 48 mm Format
- Short Mounting Depth of 32 mm
- Universal Input for Process Signals, Thermocouples, Pt100
- 16 mm High, Red LED Display
- 2 Alarm Outputs as Relay
- Programming via Buttons or Software



KOBOLD companies worldwide:

ARGENTINA, AUSTRALIA, AUSTRIA, BELGIUM, BULGARIA, CANADA, CHILE, CHINA, COLOMBIA, CZECH REPUBLIC, EGYPT, FRANCE, GERMANY, HUNGARY, INDIA, INDONESIA, ITALY, MALAYSIA, MEXICO, NETHERLANDS, PERU, POLAND, REPUBLIC OF KOREA, ROMANIA, SINGAPORE, SPAIN, SWITZERLAND, TAIWAN, THAILAND, TUNISIA, TURKEY, UNITED KINGDOM, USA, VIETNAM

KOBOLD Instruments, Inc.  
1801 Parkway View Drive  
Pittsburgh, PA 15205  
Main Office:  
1.800.998.1020  
1.412.788.4890  
info@koboldusa.com  
www.koboldusa.com

**Description**

The KOBOLD DAG-T4 is a versatile process indicator with a totalizing function. It can measure the majority of variables encountered in most industrial processes. It can accept many input types, including: thermocouples, thermo resistance, voltage, and current. It also offers two alarms (six functions), sensor offset, configuration of parameters protected by password, USB communication, and temperature indication in either °C or °F.

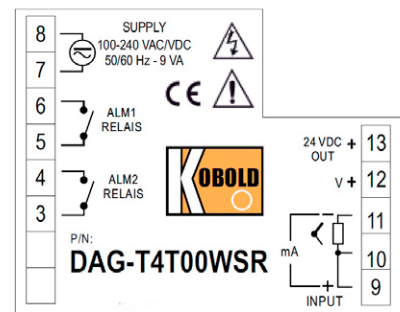


**Specifications**

**Display:** Red LED, 5-Digit, 16 mm Digits  
**Range Input:** -1999...30000  
**Range Totalizer:** 0...9999999999 (Alternating Display)  
**Indicators:** Ten Red Indicators for Alarm Status, Communication, Totalizer Function, Min/Max Value  
**°C, °F:** On, Depending on Temp. Range  
**A1, A2:** On, When Alarm is Active  
**TOT:** On, When Displaying Totalizer Value  
**HIGH:** On, When Digit 6 to 10 is Displayed  
**LOW:** On, When Digit 1 to 5 is Displayed  
**Buttons:** 4 Front Keys for Programming and Setting Setpoints  
**Input Range:** Setup of Input Signal via Buttons  
**Thermocouples:** Type J, K, T, N, R, S, B, E; Internal Cold Junction  
**RTD:** Pt100 in 3-wire Connection (Alpha = 0.00385)  
**Linear Inputs:** 0 V...5/10 V, 0/4 mA...20 mA, 0 mV...50 mV  
**Accuracy**  
**Type J, K, T, E:** 0.25% of Span, ±1 °C  
**Type N, R, S, B:** 0.25% of Span, ±3 °C  
**Pt100:** 0.2% of Span  
**Linear Analog Input:** 0.2% of Span  
**Resolution:** Internal Resolution with 65535 Steps (16 bits), Display Resolution 32000 Steps  
**Measurement Rate:** 55 Hz with Programmable Digital Filter  
**Input Impedance:** Thermocouples, Pt100, 0...50 mV: >10 MΩ

**Excitation:** 24 V<sub>DC</sub> ± 15% @ 50 mA  
**Relay Outputs:** 2 SPST Relays, 1.5 A @ 240 V<sub>AC</sub>/30 V<sub>DC</sub>  
**Supply:** 100...240 VAC ± 10%, 50/60 Hz, 6 VA  
**Protection:** IP 65 from the Front with Rubber Seal, IP 20 from the Back  
**Housing:** Polycarbonate Plastic Case L94-V2, ABS & PC UI94 V-0 Back Panel  
**Dimensions:** 96 mm W x 48 mm H x 35 mm D  
**Panel Cut-out:** 93.0 x 45.5 mm  
**Mounting:** Plastic Clamps  
**Connection:** Plug-in Terminal Blocks, 5 mm Pitch  
**Ambient Conditions:** Operating Temperature: 0...50 °C; Relative Humidity: 80% RH @ 30 °C, for Temperatures above 30 °C, reduce RH by 3% for each °C

**Connection Diagram**



**Order Details**

Model
DAG-T4T00WSR

Sensor Type	Measurement Range
TC Type J	-166...1742 °F (-110...950 °C)
TC Type K	-238...2498 °F (-150...1370 °C)
TC Type T	-256...752 °F (-160...400 °C)
TC Type N	-454...2372 °F (-270...1300 °C)
TC Type R	-58...3200 °F (-50...1760 °C)
TC Type S	-58...3200 °F (-50...1760 °C)
TC Type B	752...3272 °F (400...1800 °C)
TC Type E	-130...1346 °F (-90...730 °C)
RTD	-328...1562 °F (-200...850 °C)