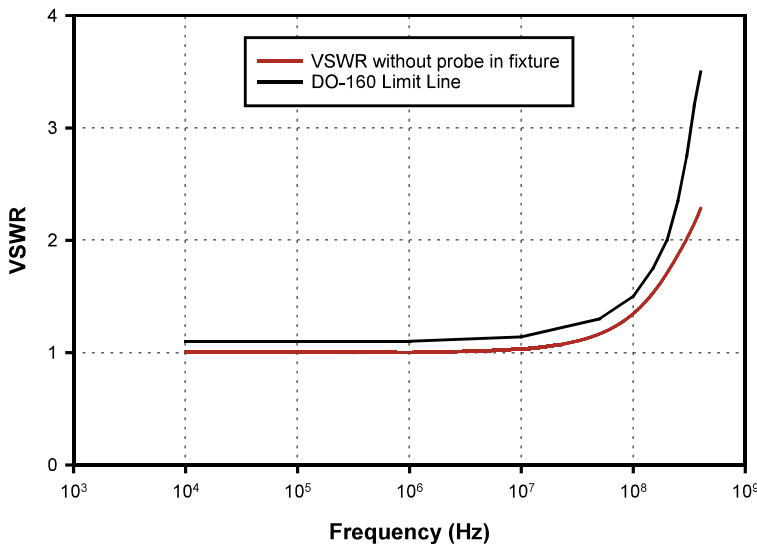
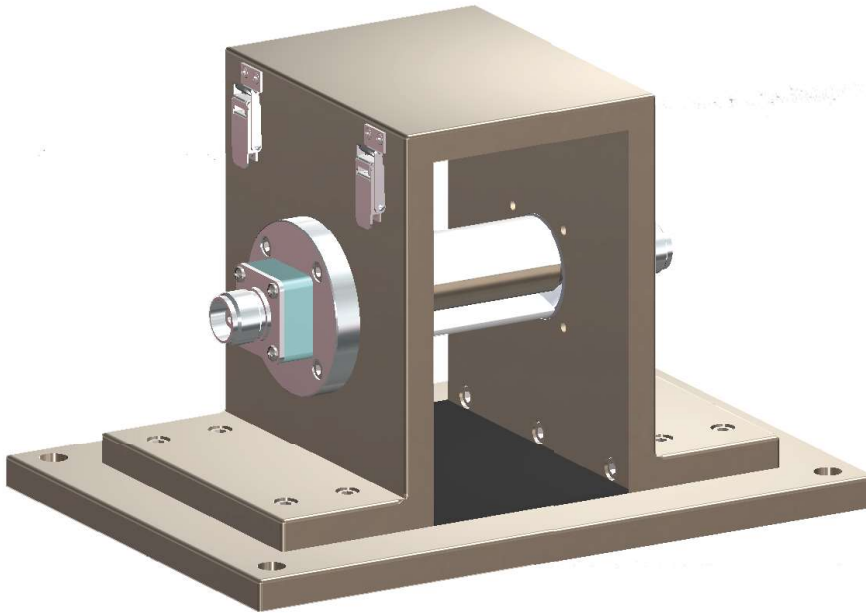


## CALIBRATION FIXTURE

The FCC-BCICF-1-HV was designed for high voltage applications. This test fixture allows the user to quickly and easily calibrate the Injection Probe prior to performing the compliance testing.

This calibration fixture offers two important benefits.

1. Due to variable circuit impedances or resonances in cables and cable looms, the calibration fixture is used to establish the forward power into the injection probe needed to develop the specified currents in the system under test.
2. The fixture can be used to measure the injection probes insertion loss.



### Specifications

Frequency: 10 kHz – 400 MHz  
VSWR: <3.0:1  
Voltage Rating: 1500 volts peak  
Dimensions: (L x W x H) 254 mm x 178 mm  
x 160 mm  
Weight: 2.5 kg  
RF Connector: HN



Fischer Custom Communications, Inc.

20603 Earl St., Torrance, CA 90503  
Phone: 310-303-3300  
Fax: 310-371-6268  
Email: sales@fischercc.com

© Fischer Custom Communications, Inc.