

DEXA Phantom

Model 026



THE "BONA FIDE PHANTOM" (BFP)⁽¹⁾

BioClinica's "Bona Fide Phantom" (BFP), is a quality control tool for Dual-Energy X-ray Absorptiometry (DEXA) instruments, which features an acrylic-embedded calcium hydroxyapatite (CHA) step-wedge. Advanced design features make it the best choice for assessing DEXA instrument stability. You can successfully use the BFP on all mainstream DEXA instruments.

The BFP offers a range of densities (0.7 - 1.5 g/cm²), to verify instrument function over the clinically relevant range, not just at a single "healthy" BMD. Linearity of BMD over this range is critical for full instrument evaluation. Our phantom uses a CHA insert for direct assessment of bone density accuracy, as required for cross-calibration phantoms used in clinical trials.

The BFP is cast in acrylic and comes with its own carrying case for easy handling. The tote remains on the phantom during scanning and does not affect BMD readings, allowing rapid placement and removal for the phantom from the bed. A flight case is available as an option.

Features

- Checks a Range of Densities
- Easy to carry and can be Scanned in the Bag
- Universal Axial DEXA Instrument Compatibility
- No Water Bath
- Edge-Detection Challenge
- Realistic Soft Tissue Mimic

(1) BFP design is the property of BioClinica, Inc.

深圳市展业达鸿科技有限公司

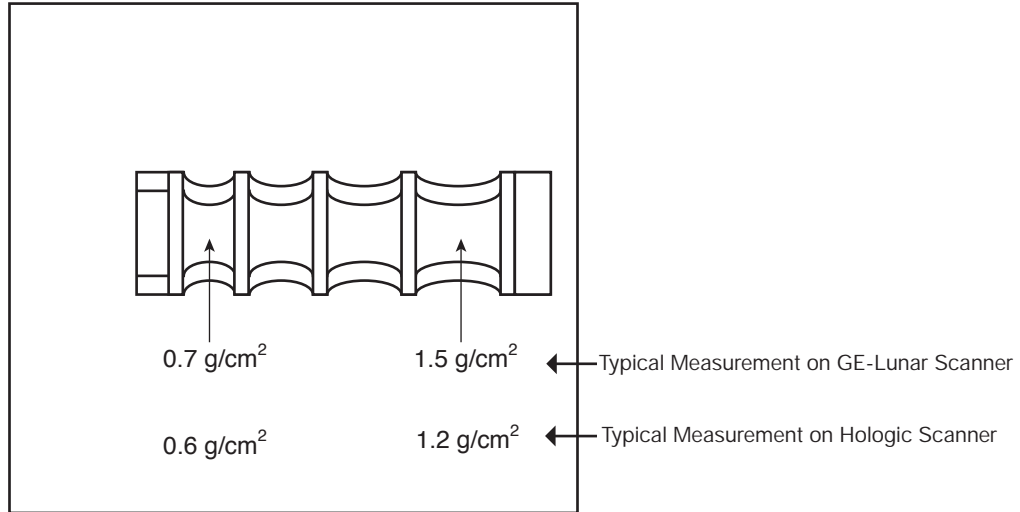
吕先生: 15920060912 (微信同号) 0755-22934005 (座机)

地址: 深圳市福田区八卦二路八卦岭工业区615栋419

邮箱: hongqi@thingstet.com

网址: www.thingstet.com

CIRS
Tissue Simulation & Phantom Technology



Note: The various DXA scanner manufacturers have developed and published cross-calibration formulas for use in data comparison.

SPECIFICATIONS

OVERALL DIMENSIONS	22 cm x 19 cm x 15 cm (8.7" x 7.5" x 6")
WEIGHT	17 lbs. (6.3 kg)
MATERIALS	ACRYLIC EMBEDDED Calcium Hydroxyapatite SOFT TISSUE ANALOG Approximately 25 % Fat BMD RANGE 0.7 to 1.5 g/cm ² (GE-Lunar) 0.6 to 1.2 g/cm ² (Hologic)

MODEL 026 INCLUDES

QTY	COMPONENT DESCRIPTION
1	DEXA Phantom
1	Carrying Case
1	User Guide
-	60-Month Warranty

References:

A comparison of phantoms for cross-calibration of lumbar spine DXA. Pearson, D., Cawte, SA, Green, DJ., Osteoporosis Int. 2002 13:948-954.

Choice of Cross-Calibration Phantom for DXA of the Lumbar Spine and Total Hip. Jackson, SA., Miller, CG. J. Bone Min. Res. 18, Suppl. 2. S.314, 2003.

©2013 Computerized Imaging Reference Systems, Inc. All rights reserved.
Specifications subject to change without notice.
Publication: 026 DS 090120

深圳市展业达鸿科技有限公司

吕先生: 15920060912 (微信同号) 0755-22934005 (座机)

Computerized Imaging Reference Systems, Inc. has been certified by UL DQS
Inc. to ISO 13485:2016. Certificate registration No. 15000005-1P2616
地址: 深圳市福田区八卦三路八卦岭工业区715栋419

邮箱: hongqi@thingstet.com
网址: www.thingstet.com

