

MQSA ITEM

Single Exposure High Contrast Resolution Phantom

Model 016A



PERFORM QC INSPECTIONS OF MAMMOGRAPHY SYSTEM RESOLUTION WITH JUST ONE EXPOSURE!

The CIRS Model 016A incorporates two 17.5 micron thick gold-nickel alloy bar patterns. These bar patterns are positioned at 90 degrees to allow assessment of resolution perpendicular and parallel to anode-cathode axis in just one exposure. The targets have 17 segments from 5 lp/mm and are equivalent to 25 microns of lead or 2.6 mm of aluminum at 20 keV.

The patterns are permanently embedded in a thin acrylic wafer (Model 016AW) to protect them from wear or damage.

The phantom body consists of breast equivalent materials and features a cavity for the acrylic wafer. This design enables consistent, reproducible positioning of the bar pattern at 4.5 cm above the breast support plate and 1 cm from the chest wall, centered laterally (as recommended by the American College of Radiology).

Features

- Perpendicular bar pattern design for assessment of system resolution using single exposure
- Reproducible positioning
- Acrylic wafer to protect bars from wear and damage
- Breast equivalent phantom body materials

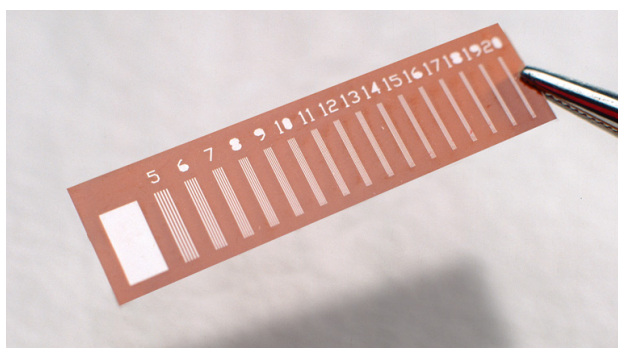
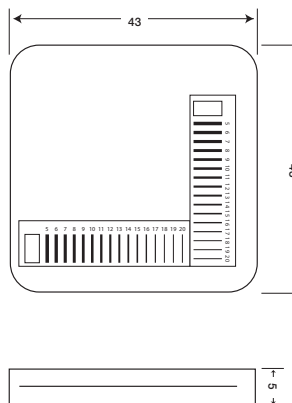
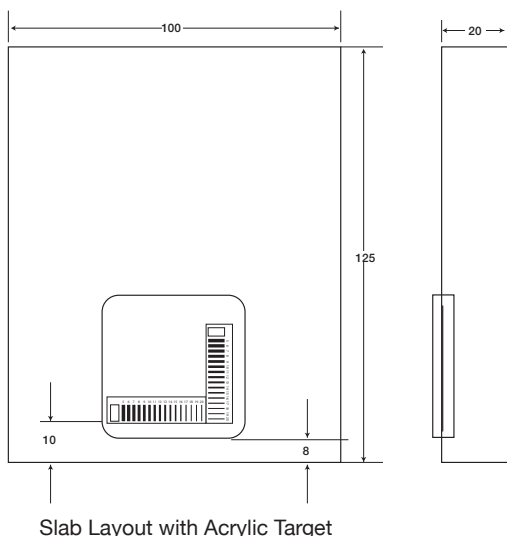
深圳市展业达鸿科技有限公司

吕先生: 15920060912 (微信同号) 0755-22934005 (座机)

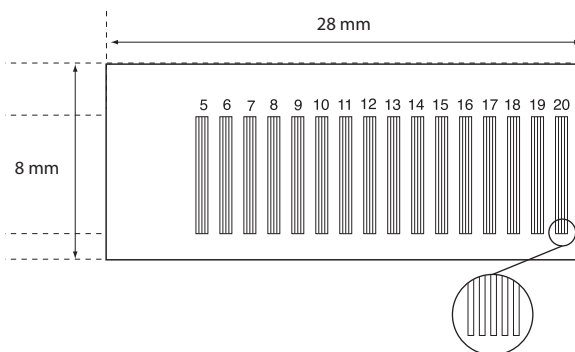
地址: 深圳市福田区八卦二路八卦岭工业区615栋419

邮箱: hongqi@thingstet.com

网址: www.thingstet.com



Line Pair Test Pattern embedded in 016AW



SPECIFICATIONS

SET DIMENSIONS:	12.5 cm x 10 cm x 4.5 cm (4.9" x 3.9" x 1.7")
PHANTOM WEIGHT:	2 lbs. (0.7 kg)
MATERIALS:	Phantom: BR12 Target: Gold Nickel Construction (equivalent to 25 microns lead or 2.6 mm aluminum) Embedded in acrylic

MODEL 016A SET INCLUDES

PART NO.	QTY	COMPONENT DESCRIPTION
016A Set	1	12.5 cm x 10 cm x 0.5 cm Slab (BR12)
	1	12.5 cm x 10 cm x 2 cm Slab (BR12)
	1	12.5 cm x 10 cm x 2 cm Slab with cutout for Acrylic Target (BR12)
016AW	1	Acrylic wafer with two Line Pair Test patterns positioned at 90 degrees

The 016A Set is available in the following composition.

MODEL NO.	MODEL DESCRIPTION
016A- BR12	Ultra High Contrast Resolution Phantom (5 to 20 Lp/mm)- BR12